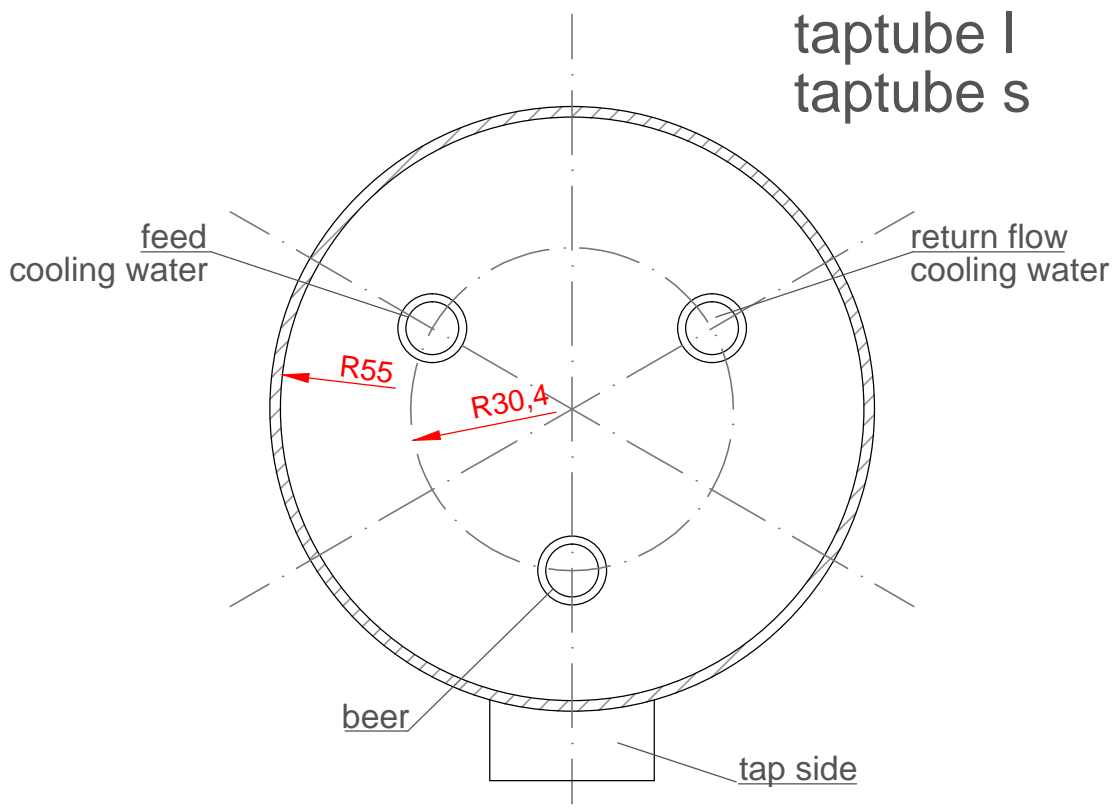


port positioning

top view on glass spiral in flange pot



taptube twin

